

swissauto[®] ***250***

spare parts catalogue

Version 1.2013

! IMPORTANT NOTICE!

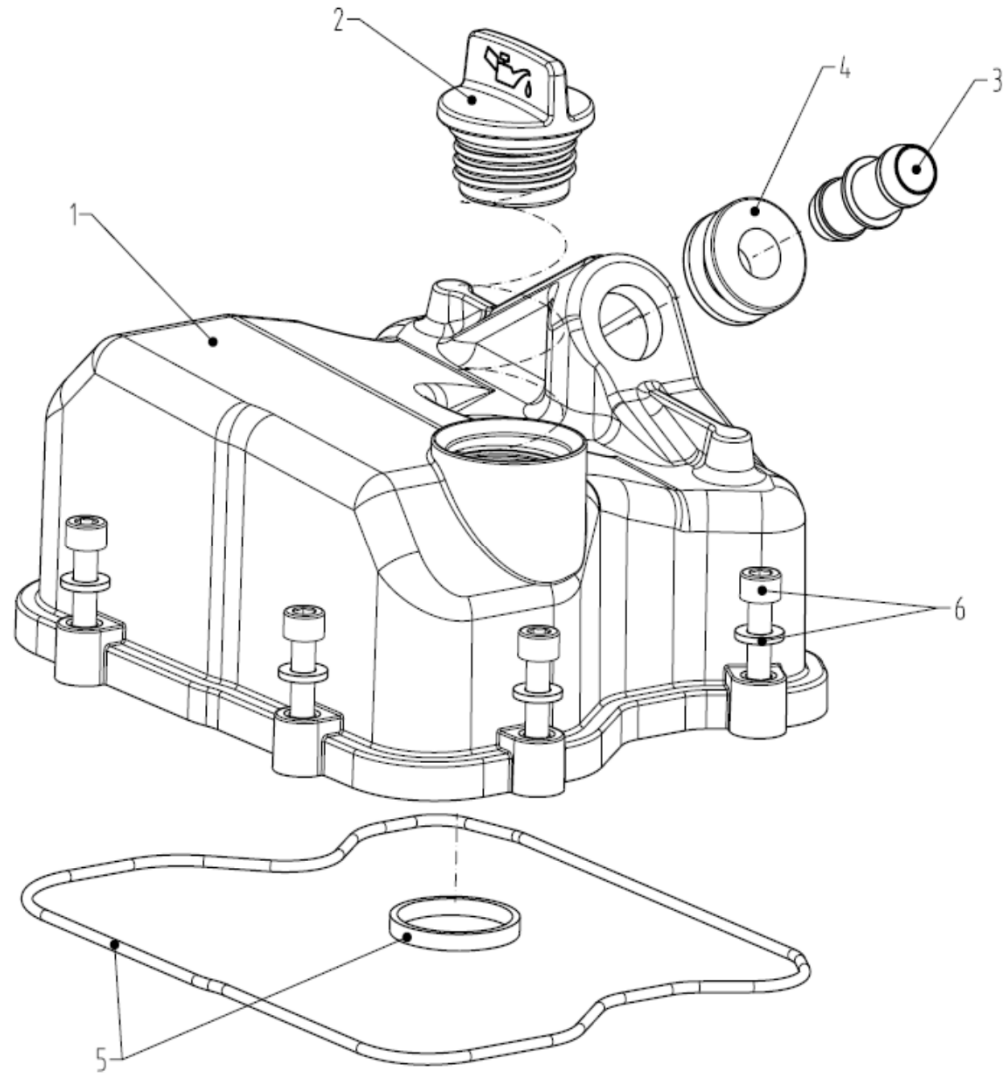
This engine is designed strictly for competition purposes only.

The manufacturer **SWISSAUTO** declare that all spare parts and engines are not covered by any warranty.

Only **SWISSAUTO** can recognize the manufactured defect after control.

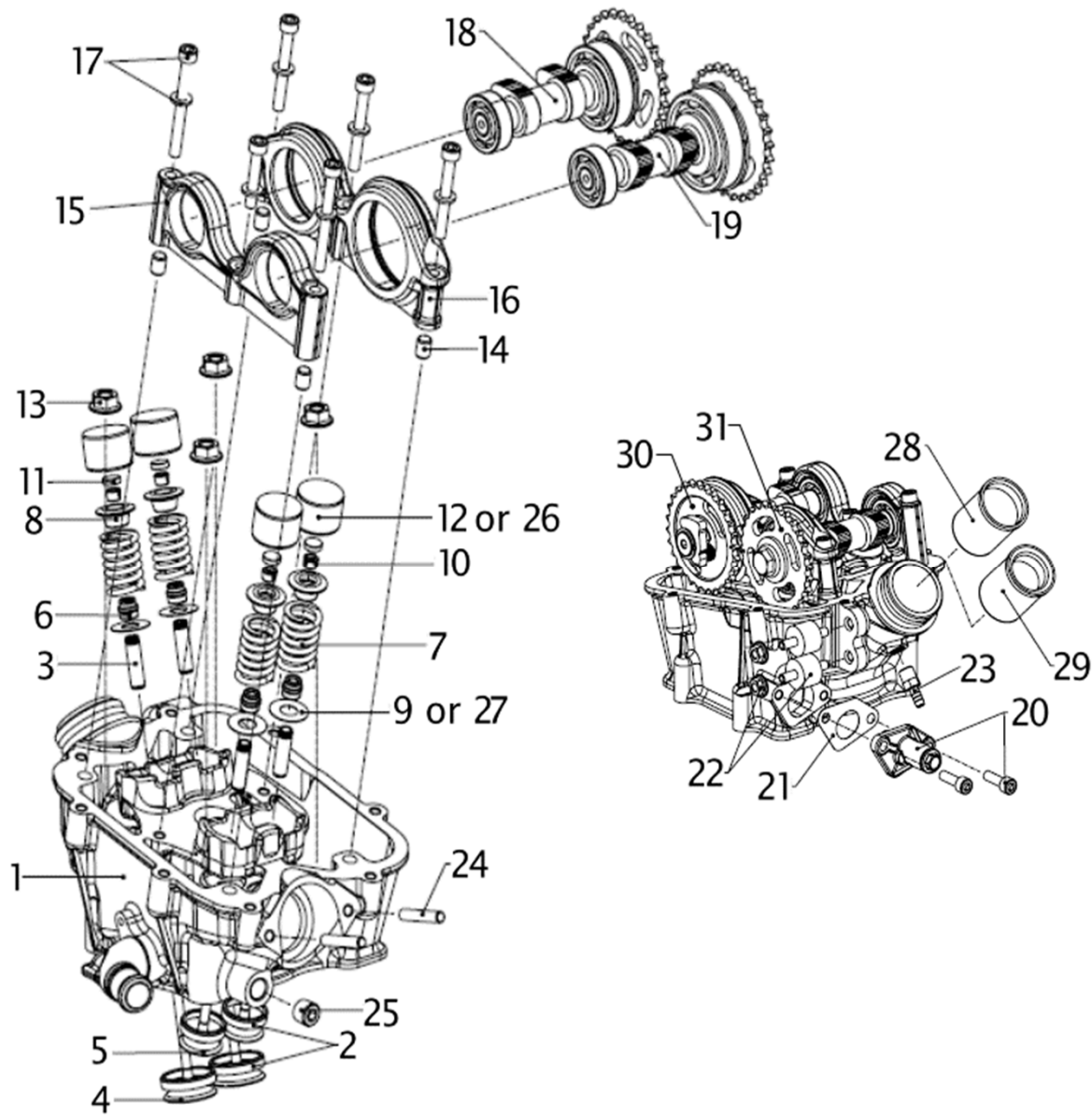
group	parts	page
A	valve cover	4
B	cylinder head	6
C	cylinder	8
D	piston	10
E	crankshaft	12
F	balance shaft	14
G	crankcase	16
H	side cover	18
I	water pump	20
K	starter	22
L	clutch	24
M	cooling	26
N	battery holder	28
O	electric	30
P	ignition	32
Q	silencer	34
R	carburetor	36
S	airbox	38
T	torque absorber	40
U	tooling customer	42
V	tooling dealer	44
W	carburetor Junior	46
X	engines	48
Y	fuel injection	50

group A - valve cover



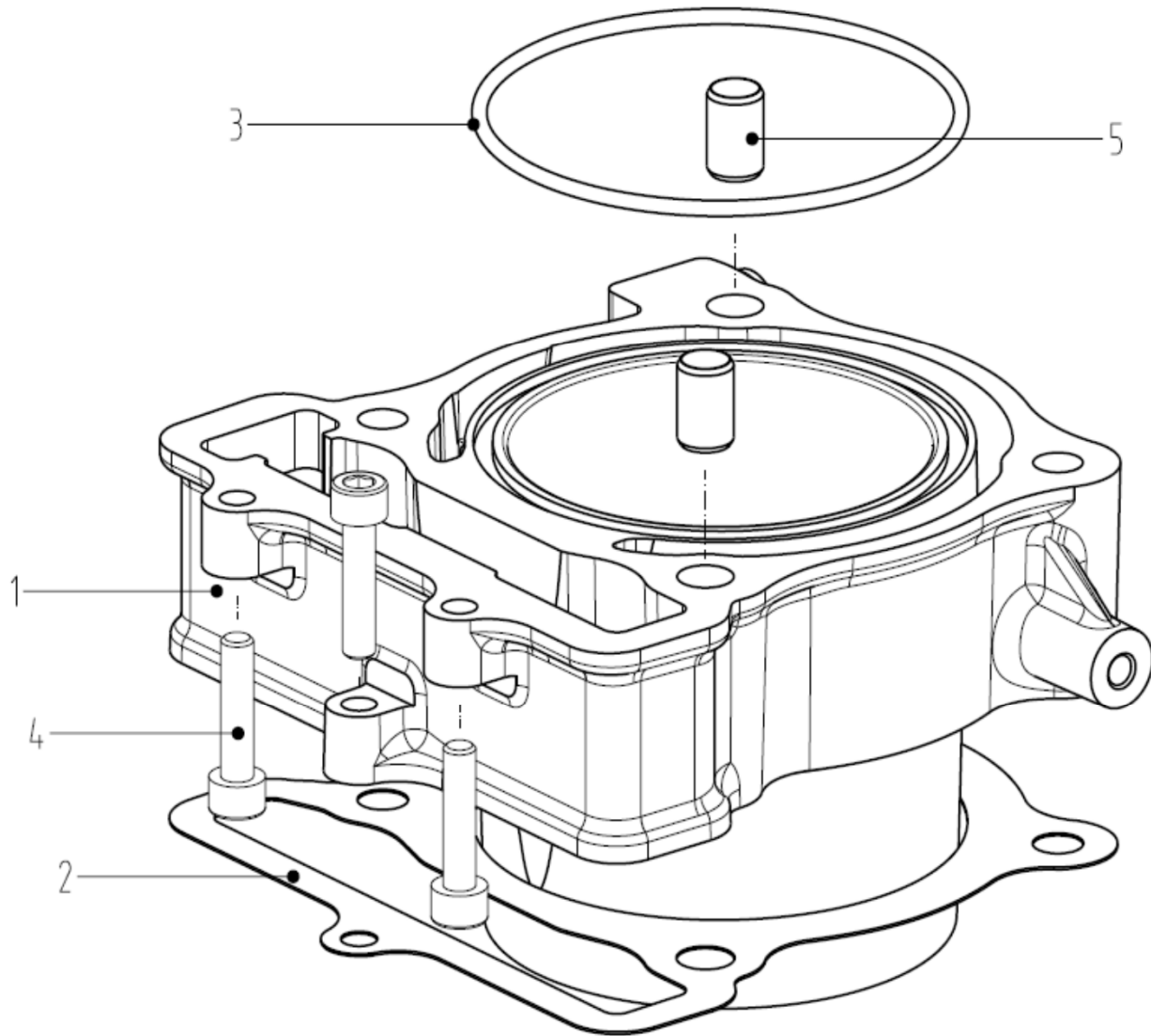
group	#	article
A	1	valve cover (incl. sleeve, metal insert, oil way insert, logo sticker)
A	2	oil fill plug incl. o-ring
A	3	ventilation tube
A	4	rubber grommet for ventilation tube
A	5	o-ring and seal spark plug hole
A	6	screw M6x25 (8 pcs)

groupe B - cylinder head



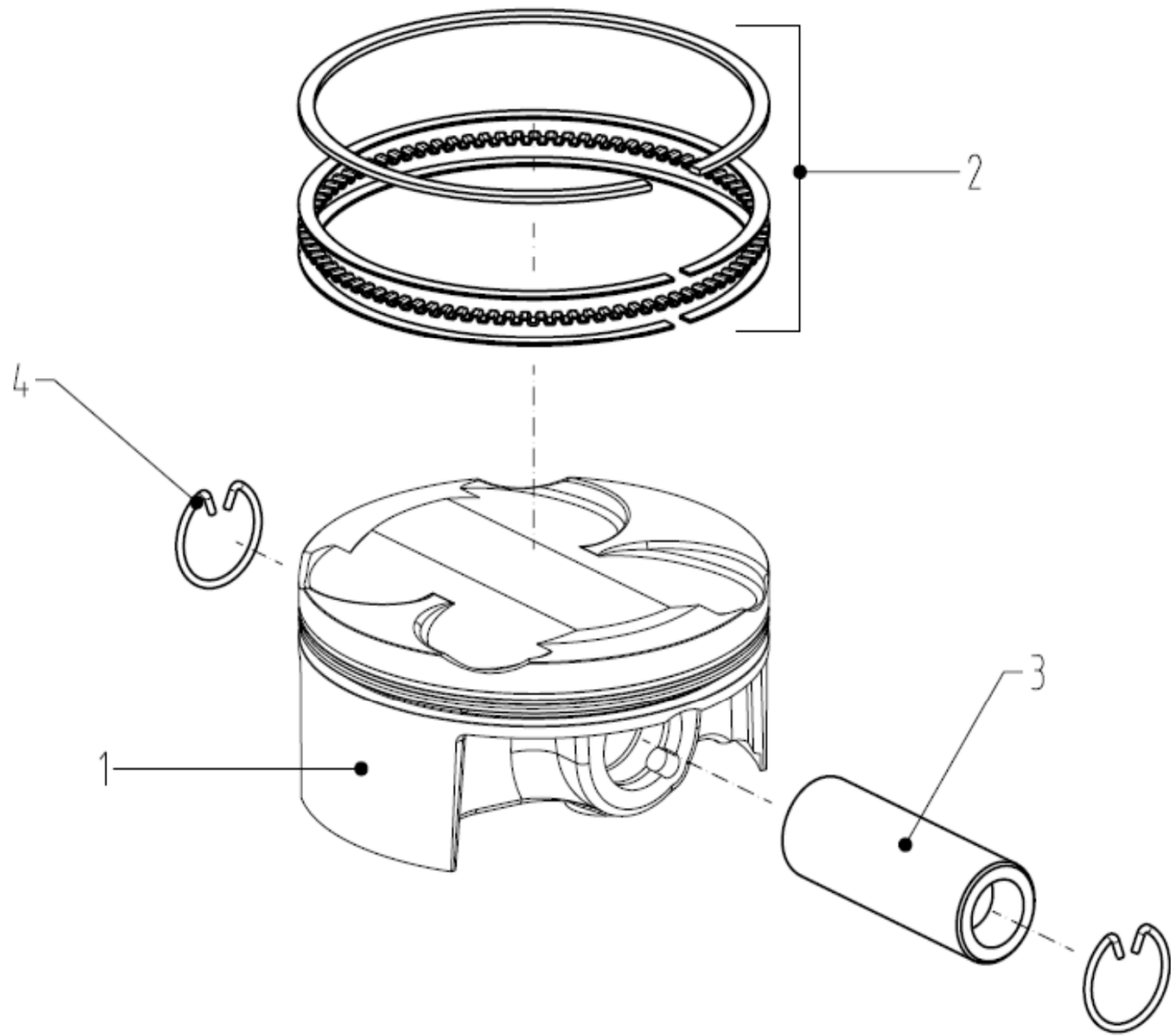
group	#	article
B	1	cylinder head, valve guides, valve seat rings, water pipe connection, hose nipple
B	2	valve seat rings - not deliverable
B	3	valve guides - not deliverable
B	4	valve intake (single)
B	5	valve exhaust (single)
B	6	valve stem seal (set of 4)
B	7	valve spring (set of 4)
B	8	valve spring retainer (set of 4)
B	9	spring washer with spring centring (set of 4)
B	10	valve lock key (set of 8)
B	11	valve clearance adjusting shim (single)
B	12	flat tappet Ø 26.5mm (single)
B	13	crankcase stud nut (set of 4)
B	14	centring sleeve 8x6.5x10 (set of 4)
B	15	cam bearing support small
B	16	cam bearing support big
B	17	screws M6x40 10.9, M6x50 10.9, M6x60 12.9 incl. washer
B	18	camshaft intake complete (incl. ball bearings, wheel sprocket)
B	19	camshaft exhaust complete (incl. ball bearings, wheel sprocket)
B	20	timing chain tensioner (incl. screws M6x20)
B	21	seal for timing chain tensioner
B	22	mounting set for ignition coil (incl. nuts)
B	23	hose nipple
B	24	stud bolt (set)
B	25	screw plug for temperature test point
B	26	flat tappet Ø 25mm (single)
B	27	Spring washer Ø24mm (4 pce.) or Ø20mm (old version)
B	28	Intake flange Ø30mm VT1 "Senior"
B	29	Intake flange Ø25mm VT2 "Light"
B	30	Sprocket wheel exhaust (official dealers only)
B	31	Sprocket wheel inlet (official dealers only)

group C - cylinder



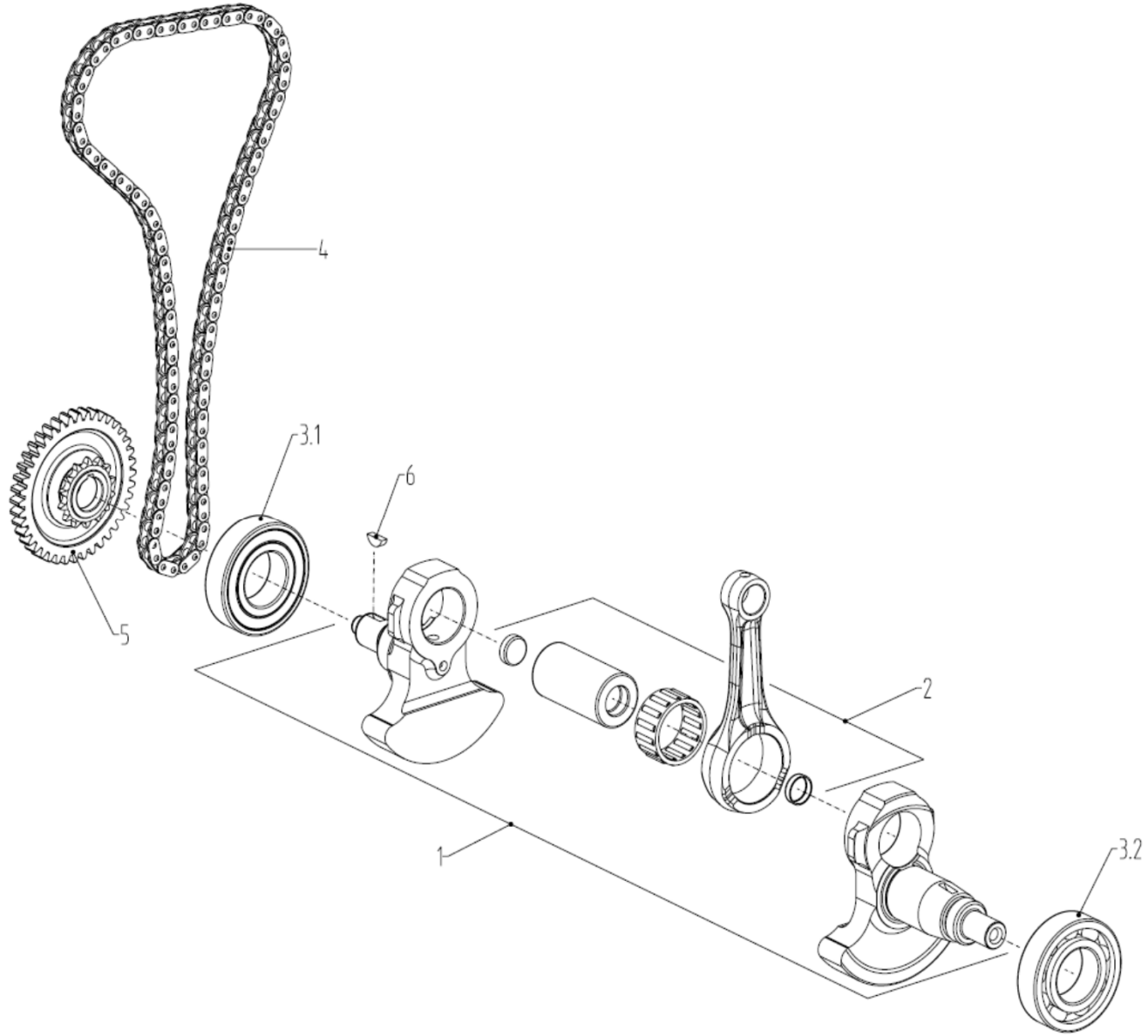
- C 1 cylinder
- C 2 seal cylinder barrel
- C 3 o-ring for cylinder gasket (viton)
- C 4 screws 3x M6x25 (2 punched)
- C 5 centring sleeve 10x8.5x15 (singel)

group D - piston



- D 1 piston
- D 2 piston rings (set)
- D 3 piston pin
- D 4 piston clips (set)

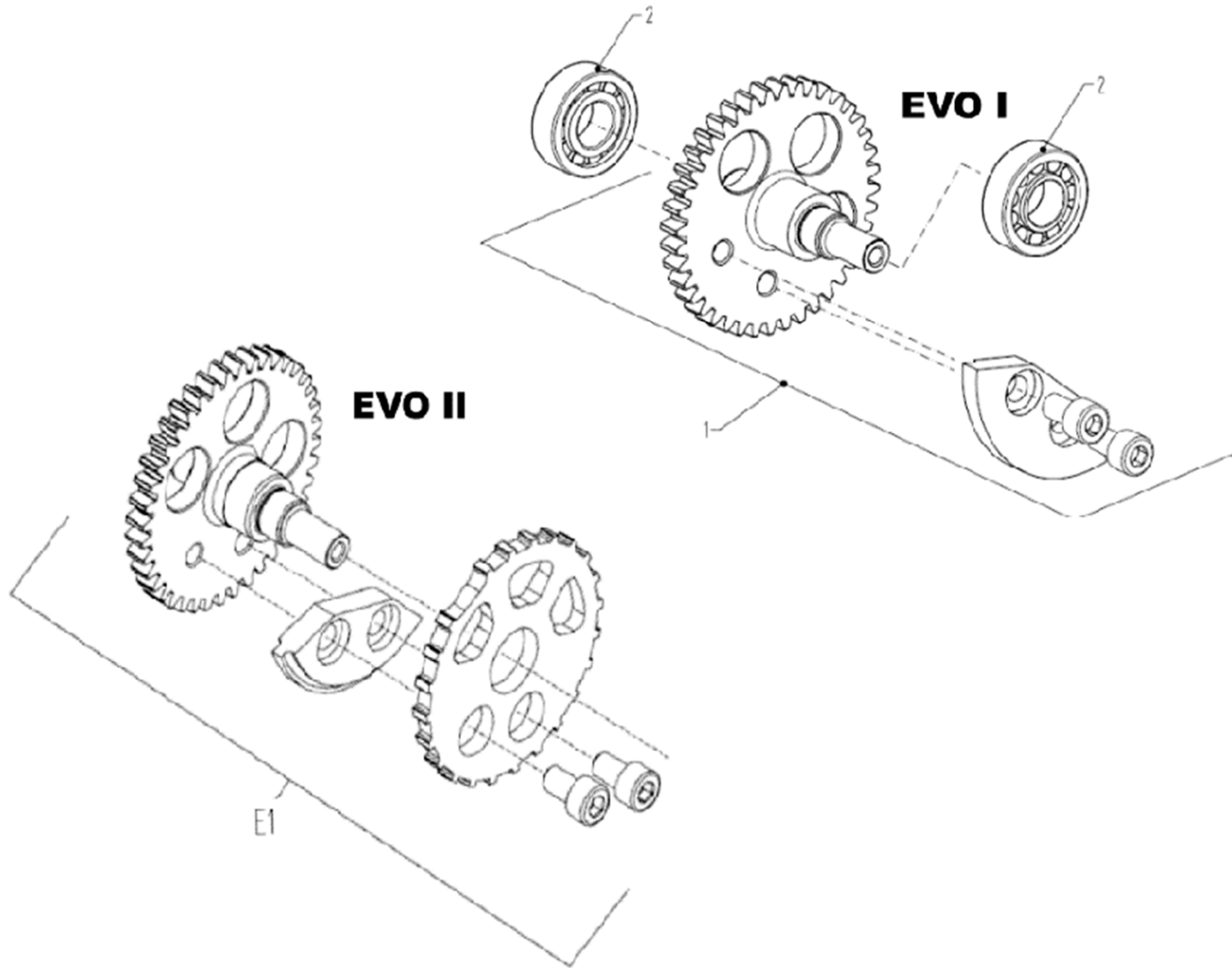
group E - crankshaft



group # article

- E 1 crankshaft complete (without bearings)
- E 2 repair kit: crankpin, oil plug, connecting rod bearing, connecting rod
- E 3 crankshaft bearings (set: 1 bearing with seal washer 3.1 und 1 bearing w/o seal washer 3.2)
- E 4 timing chain
- E 5 double sprocket
- E 6 woodruff key

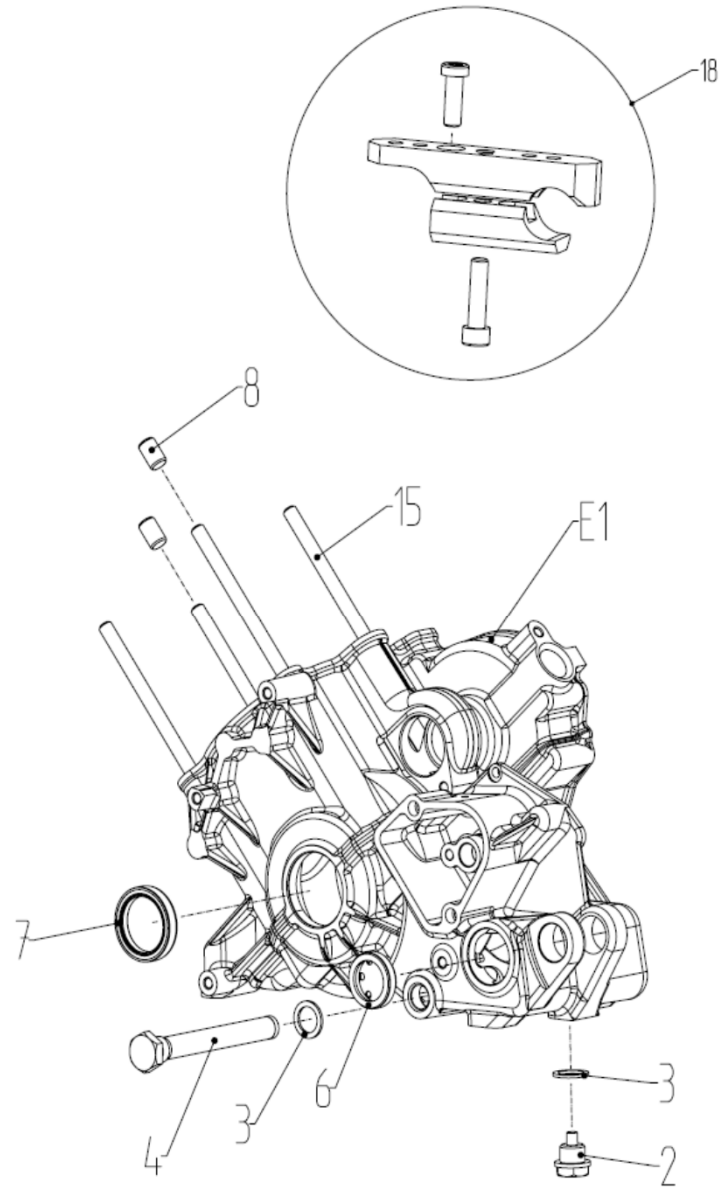
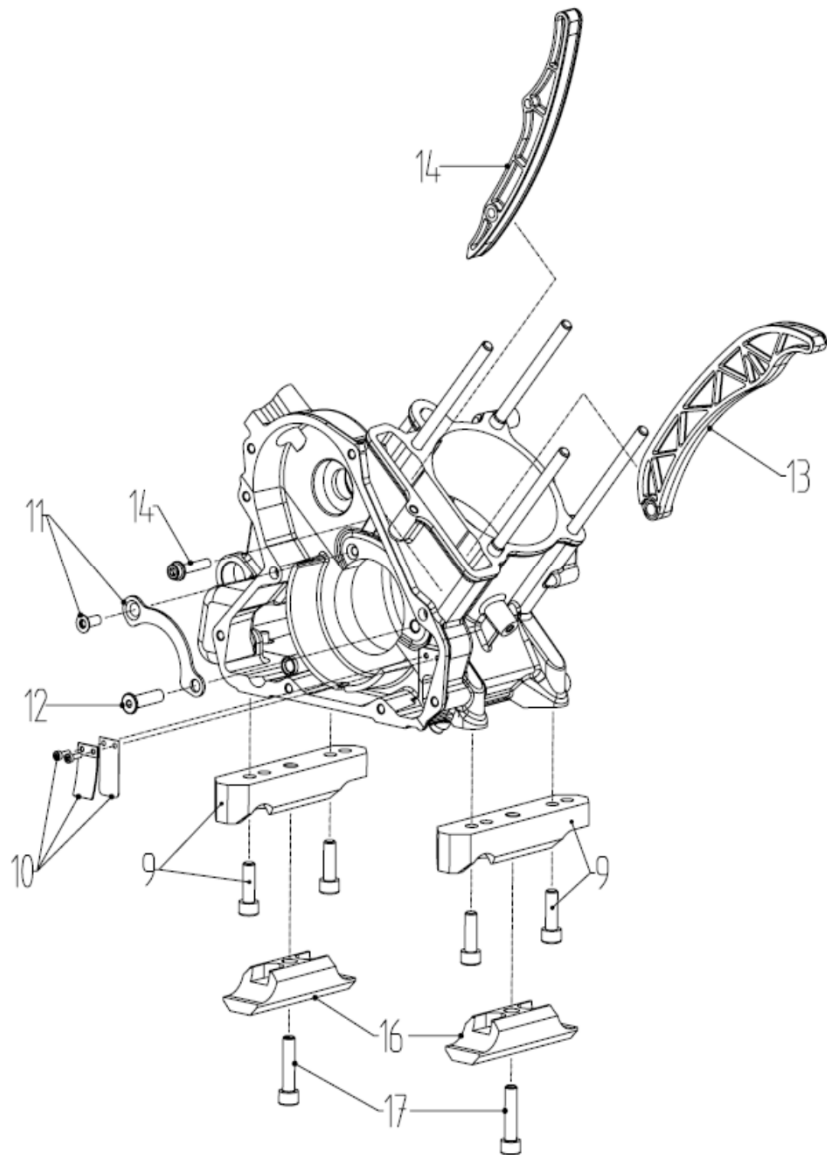
group F - balance shaft



group # article

- F 1 balance shaft EVO1 (incl. weight, screws M8x14 without roller bearing)
- F E1 balance shaft EVO2 (incl. weight, trigger wheel, screws M8x14 without roller bearing)
- F 2 roller bearing

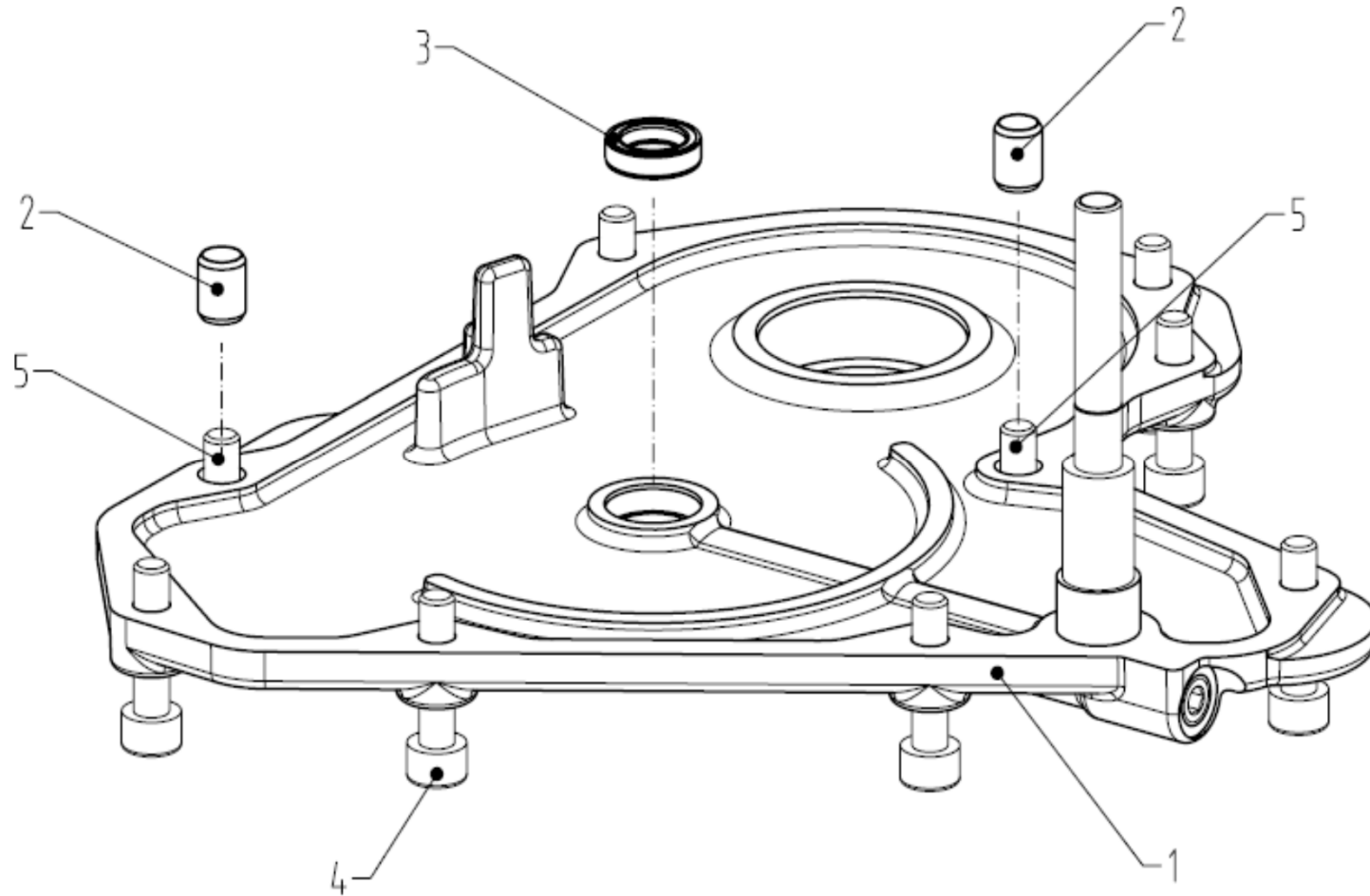
group G - crankcase



group # article

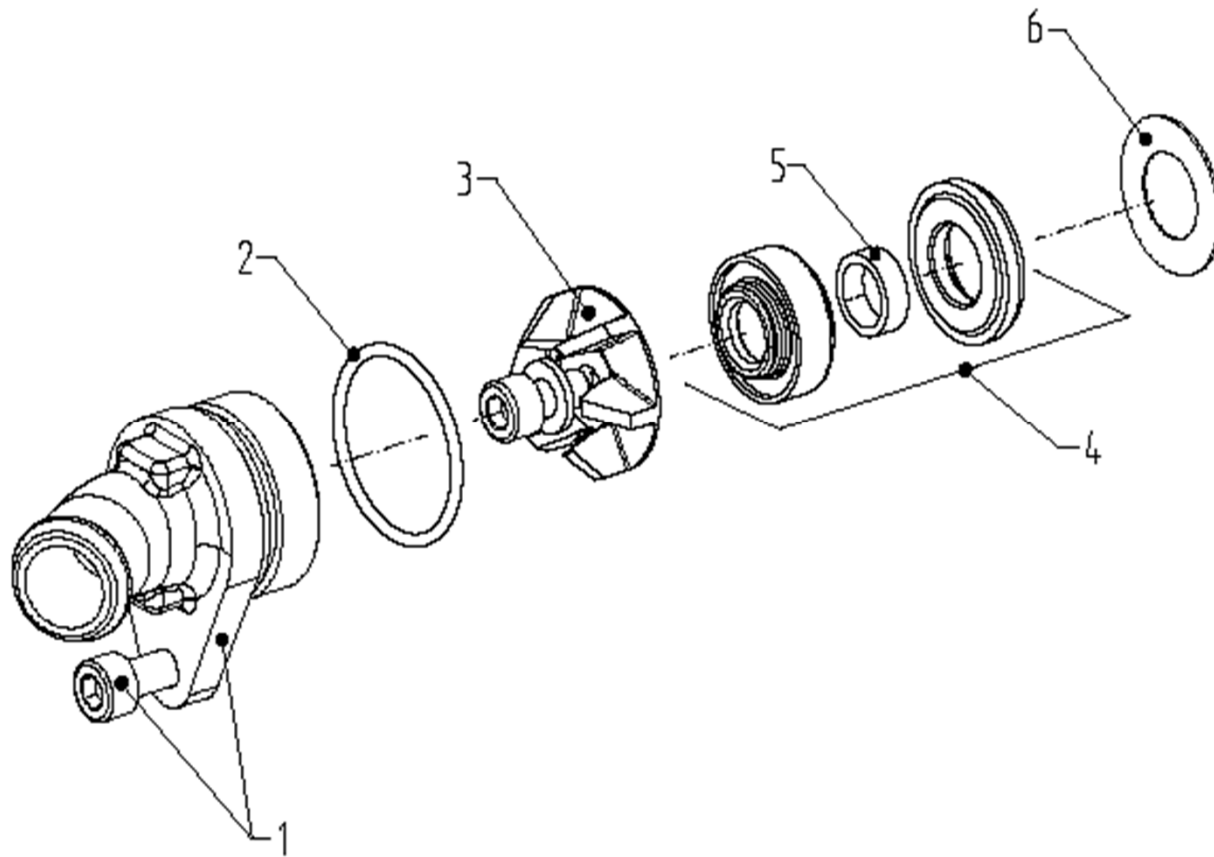
G	E1	crankcase (incl. stud bolt, centring sleeve, oil level glass, needle bearing HK0808, cylindric pin)
G	2	oil drain plug
G	3	copper seal ring (singel)
G	4	oil screen complet (incl. plastic tube, oil screen support screw)
G	6	oil level glass
G	7	shaft seal
G	8	centring sleeve 10x8.5x15
G	9	engine mount (incl. screws)
G	10	read valve and read stopper (incl. screws M3x10)
G	11	metal sheet (incl. screws M6x16)
G	12	low high screw M8x30
G	13	plastic chain tensioner with sleeve
G	14	plastic chain guide with sleeve (incl. Screw with flange M6x30)
G	15	stud bolt (single)
G	16	holder flange (singel)
G	17	screw M10 x 45 (singel)
G	18	engine mounting 3 point

group H - side cover



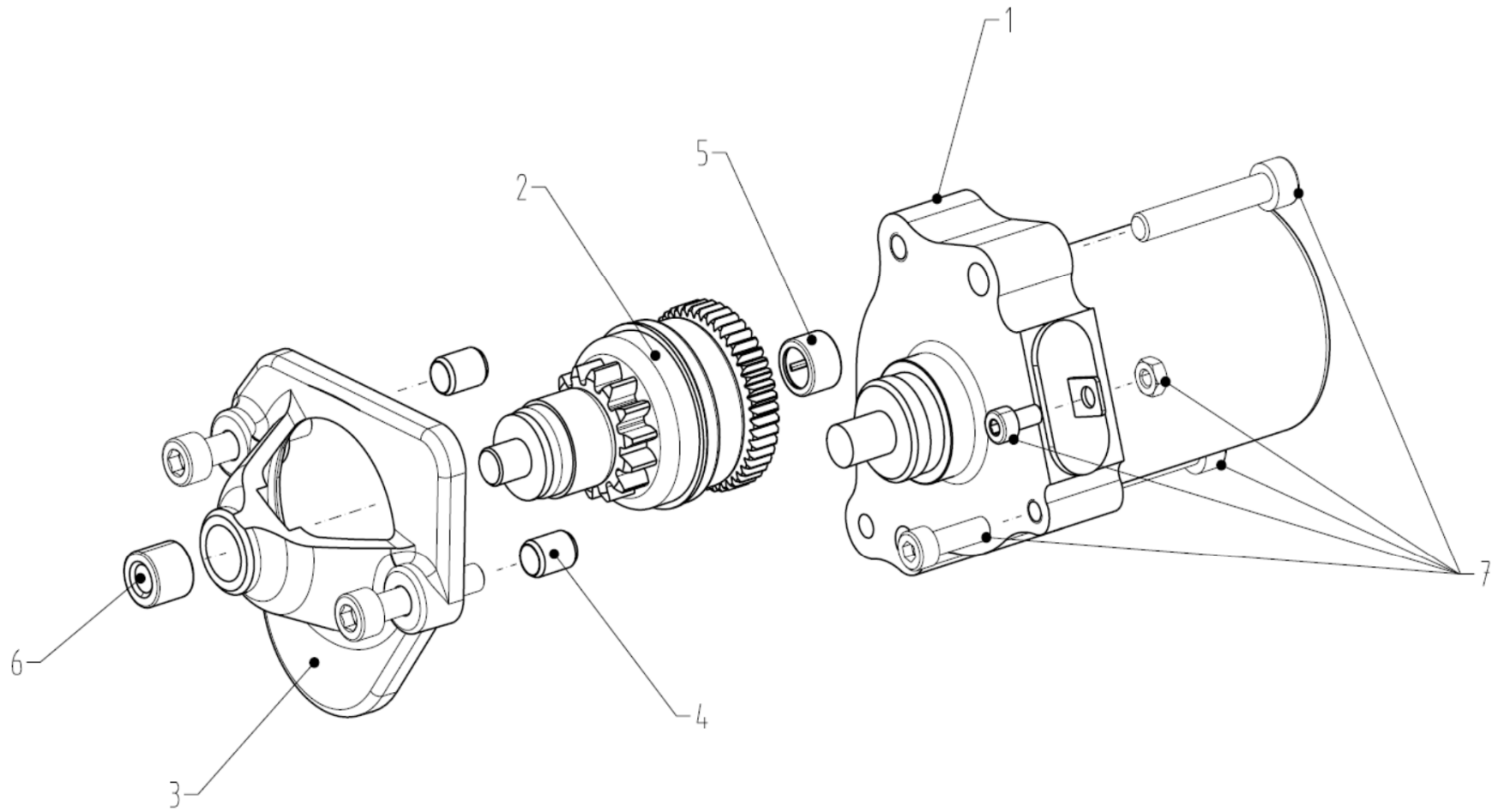
- H 1 side cover (incl. oil line plug, oil screen support, centring sleeve 8x6.5x10)
- H 2 centring sleeve 8x6.5x10 (singel)
- H 3 shaft seal
- H 4 screws M6x25 (set of 7 pcs)
- H 5 screws M6x30 (set of 2 pcs)

group I - water pump



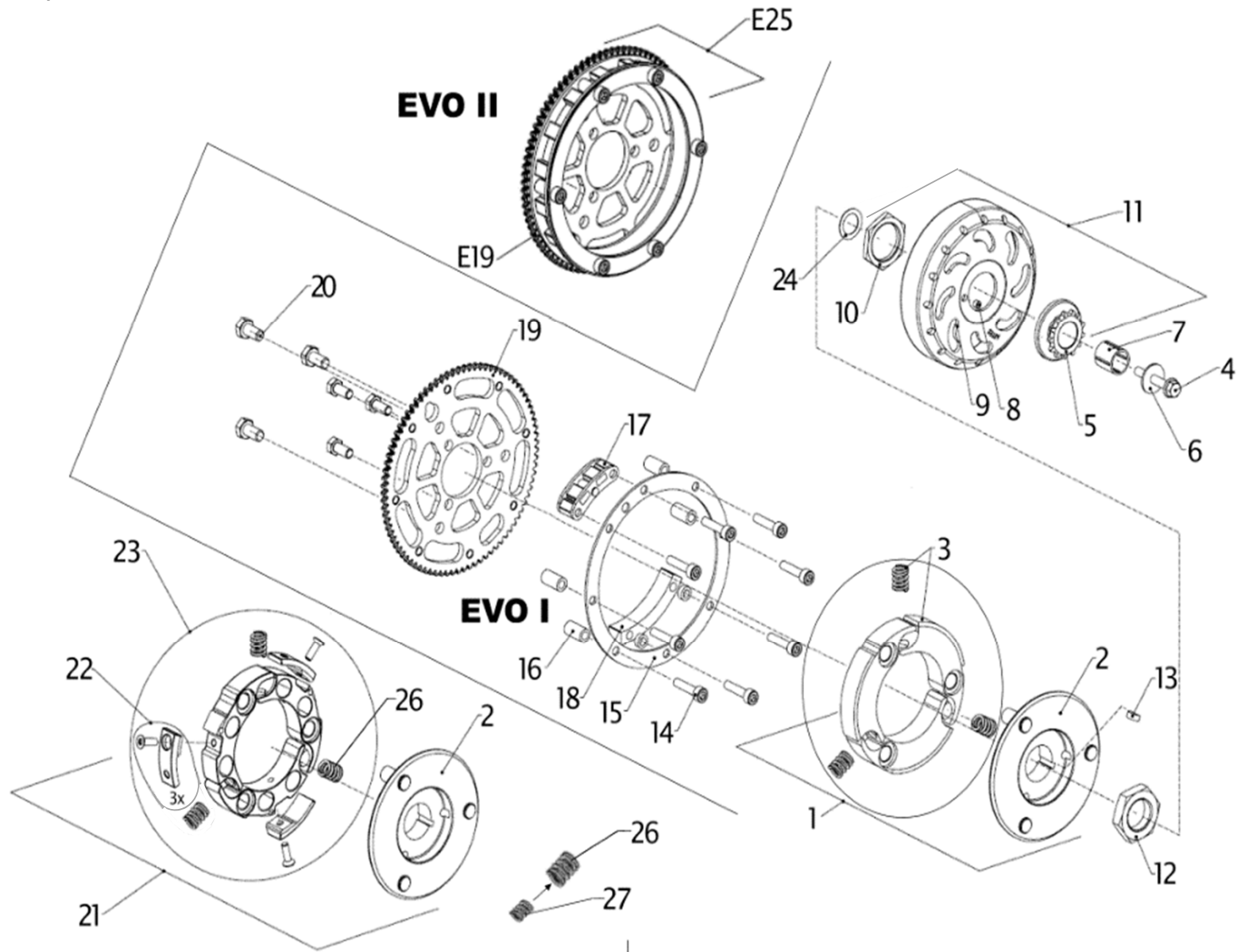
- I 1 water pump cover (incl. screw M6x20)
- I 2 water pump o-ring
- I 3 water pump impeller (incl. screw M6x14 and washer)
- I 4 water pump seal, static face ring, rubber ring
- I 5 rubber ring (single)
- I 6 shim $\varnothing 26 \times 14 \times 0.5$ (use only against water leak problems)

group K - starter



K	1	starter motor
K	2	bendix gear
K	3	starter cover (incl. needle bearing BK 0810, centring sleeve 8x6.5x10, screws M6x25)
K	4	centring sleeve 8x6.5x10 (singel)
K	5	needle bearing HK 0808
K	6	needle bearing BK 0810
K	7	mounting set starter motor (2 screws M6x30, 1x M5x15, 1x snap ring M5, 1x M4x8, nut M4)

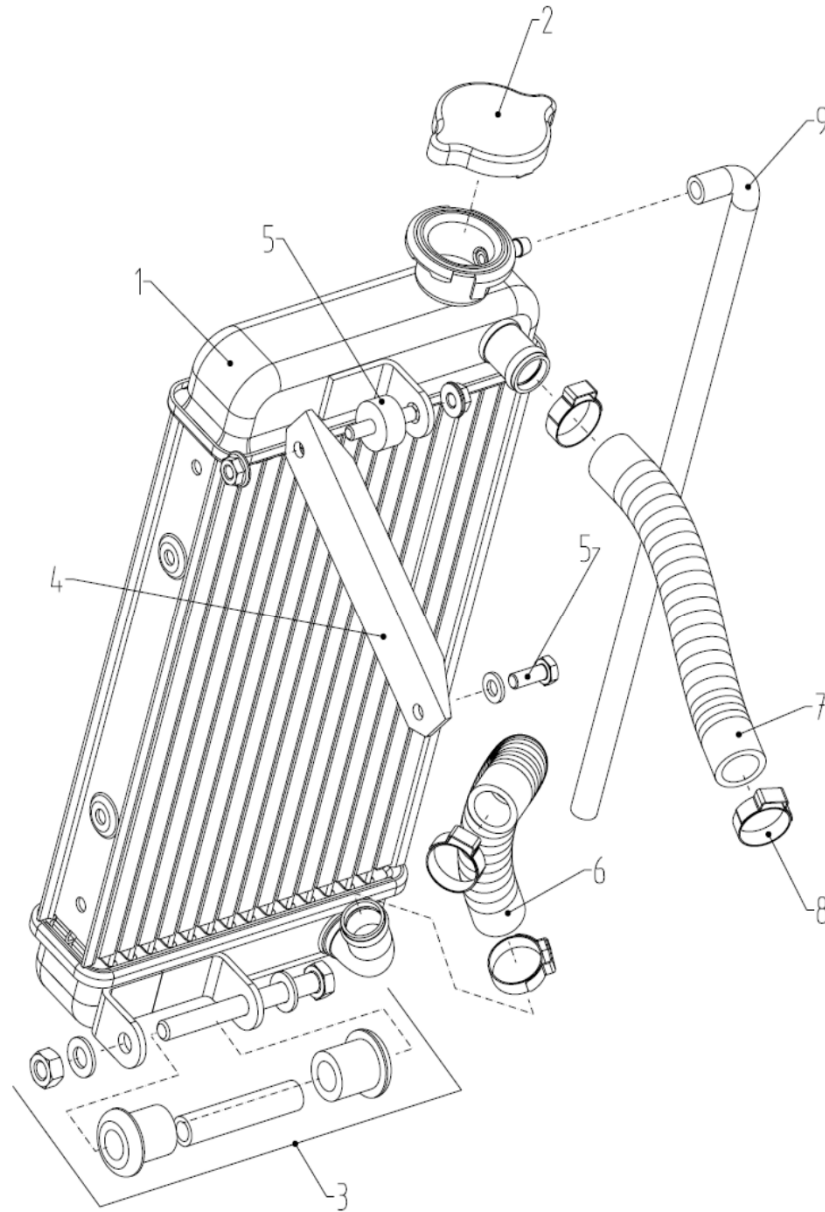
group L - clutch



group # article

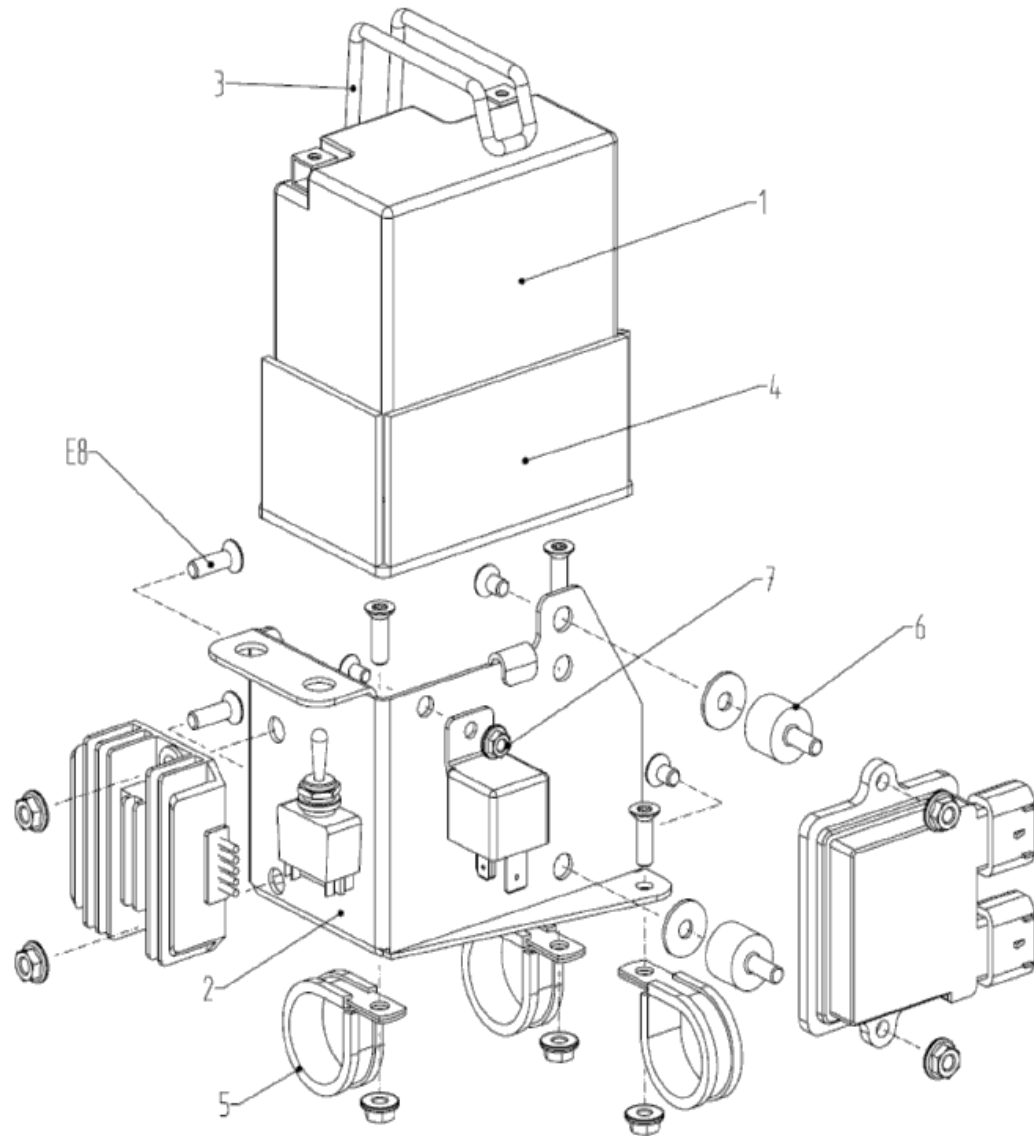
L	1	clutch complet (incl. clutch jaw base, clutch springs, clutch jaws)
L	2	clutch jaw base
L	3	clutch springs and clutch jaws (set of each 3 pcs)
L	4	screw with flange M6x40
L	5	sprocket
L	6	washer sprocket
L	7	sprocket bearing
L	8	catch pin
L	9	clutch drum Aiyes
L	10	nut M28x1x4.5
L	11	clutch drum complet (incl. sprocket, catch pin, nut)
L	12	nut M24x2x9
L	13	woodruff key
L	14	screw M5x27 inox (singel)
L	15	support ring EVO1
L	16	sleeves EVO1 (set 4x long, 2x short)
L	17	magnet EVO1
L	18	counter weight EVO1
L	19	starter sprocket EVO1
L	E19	starter sprocket EVO2
L	20	screws M7x16, M8x16 10.9 (set of 3 pce.)
L	21	clutch Aiyes complete
L	22	clutch pads Aiyes incl. screw (set of 3pce.)
L	23	clutch jaws Aiyes complete incl. spring (set of 3 pce.)
L	24	shim 15 x 22 x 0.5
L	E25	generator rotor complete (incl. starter sprocket, magnets, screws M6x27 Inox, bracket rings)
L	26	clutch spring standard (singel)
L	27	clutch spring Aiyes additionl (singel)

group M - cooling



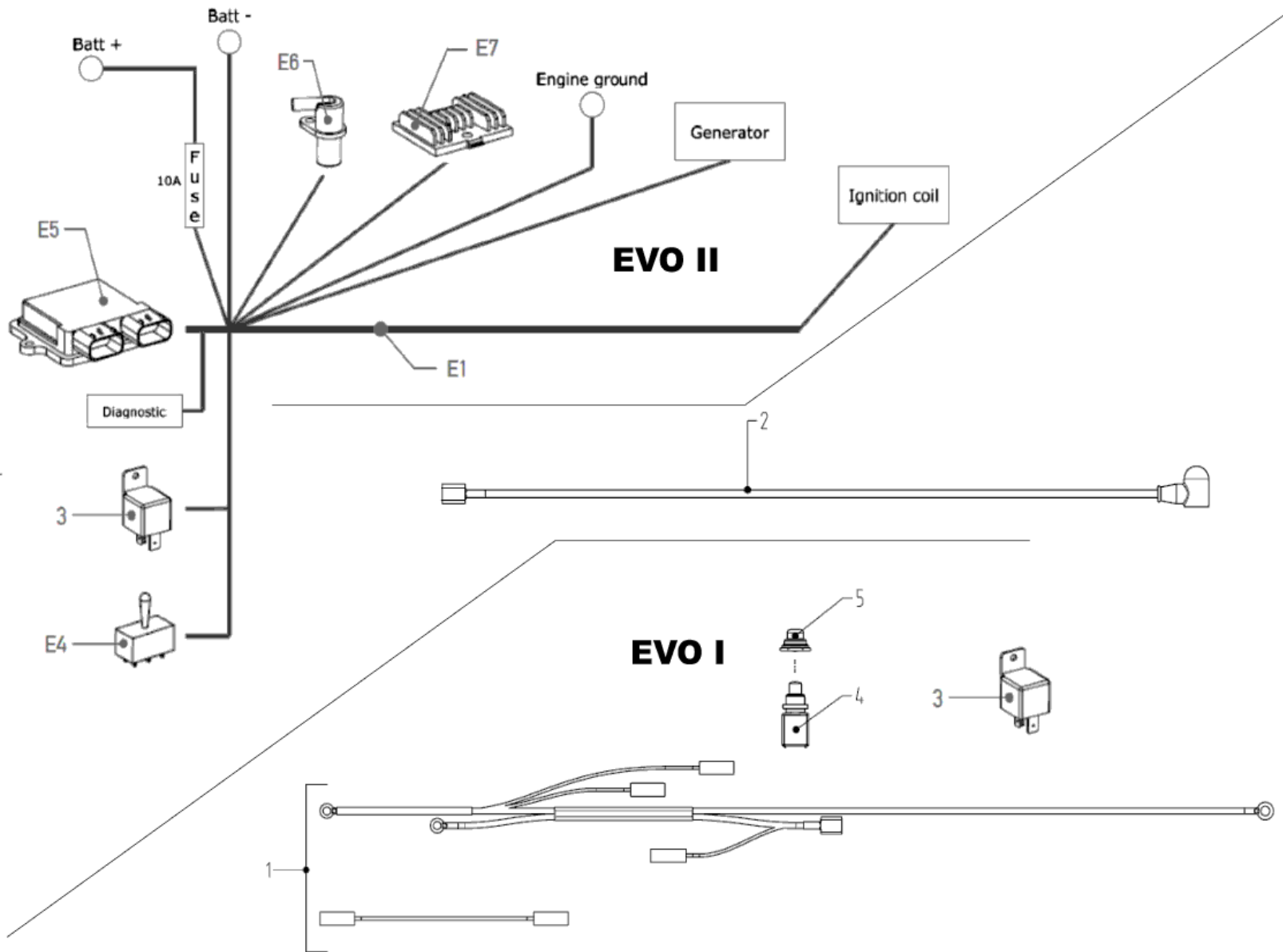
M	1	radiator (incl. cap)
M	2	cap
M	3	lower mounting set (incl. grommet, screw, nut with flange, washer, sleeve)
M	4	radiator support
M	5	upper mounting set (incl. silent block, nut, screw, washer)
M	6	lower radiator hose
M	7	upper radiator hose
M	8	water hose u-bolt (set)
M	9	overflow hose

group N - battery holder



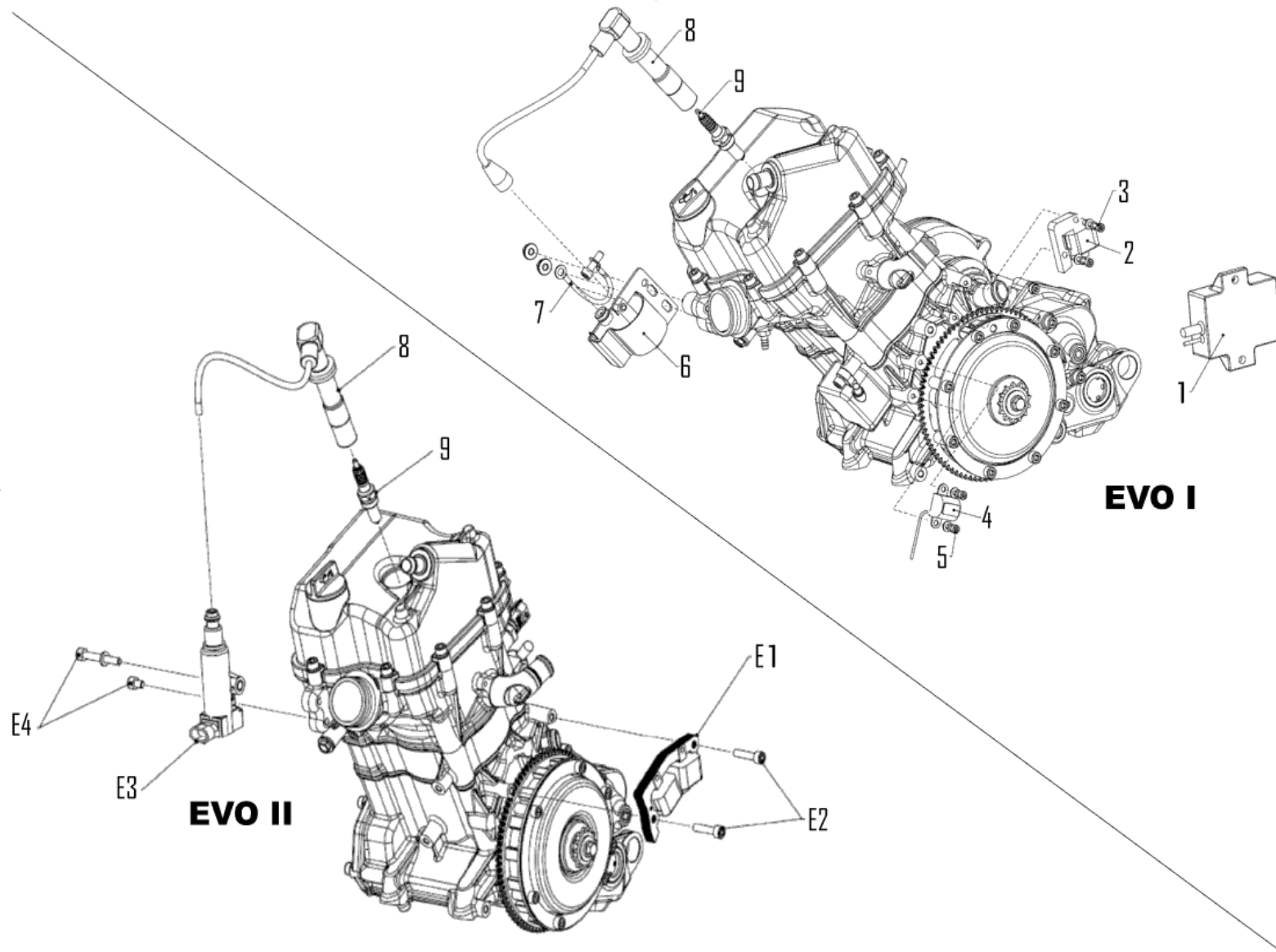
N	1	battery
N	2	battery holder
N	3	o-ring for fixation of battery
N	4	rubber pad for battery holder (set)
N	5	pipe clamp with rubber pad (incl. flat head screw M6x20, nut with flange)
N	6	mounting set for control unit (incl. silent block, nut, washer, flat head screw M6x8)
N	7	mounting set for starter relay (incl. nut, washer, flat head screw M4x10)
N	E8	mounting set for voltage regulator (incl. nut with flange, flat head screw M6x20)

group O - electric



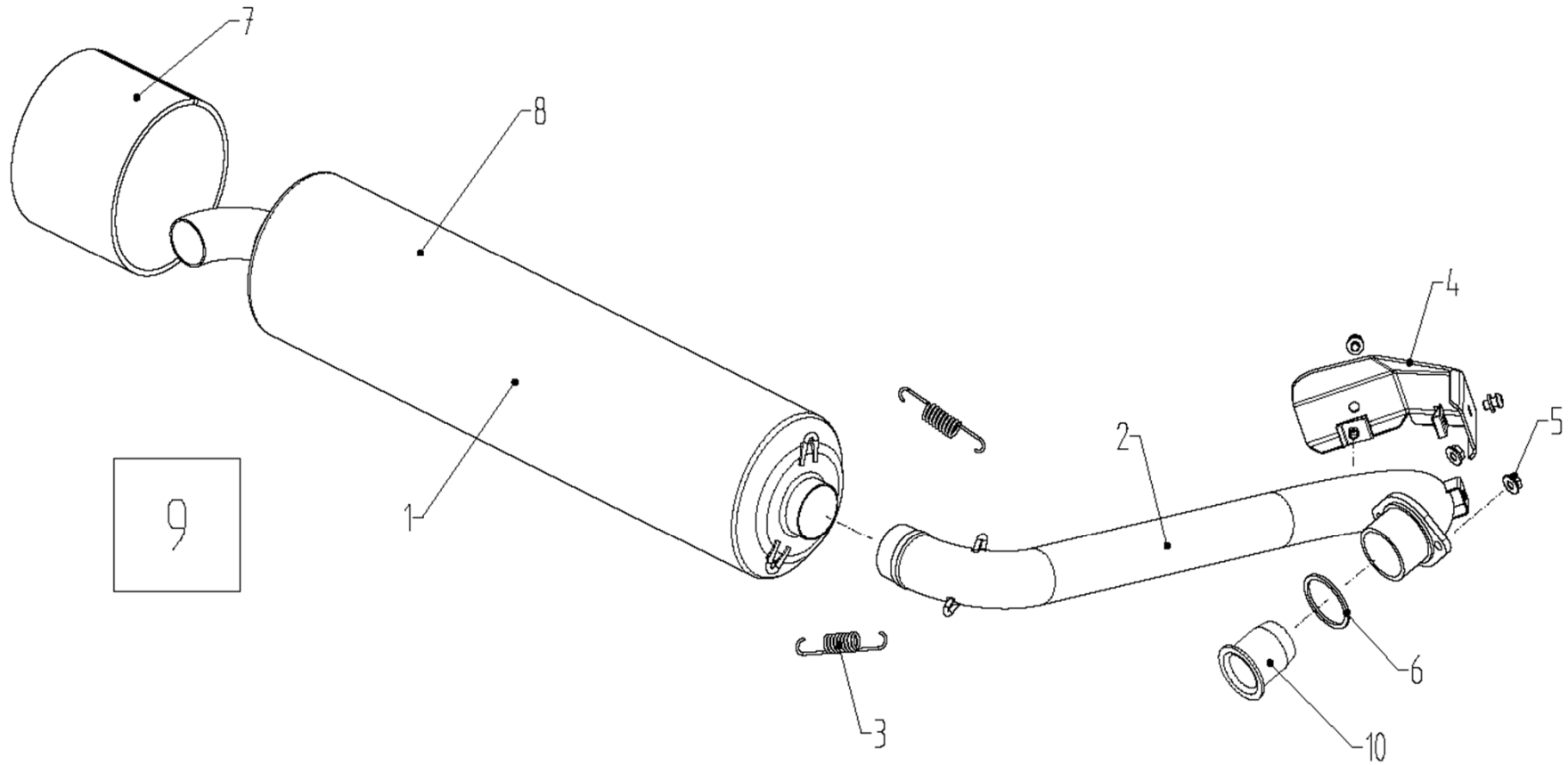
group	#	article
<input type="radio"/>	1	engine harness EVO1
<input type="radio"/>	E1	engine harness EVO2
<input type="radio"/>	2	starter cable
<input type="radio"/>	3	starter relay
<input type="radio"/>	4	start/stop button EVO1
<input type="radio"/>	E4	start/stop switch EVO2
<input type="radio"/>	5	proof cap for start /stop button EVO1
<input type="radio"/>	E5	Engine control unit (ECU) EVO2
<input type="radio"/>	E6	crank shaft trigger sensor (with o-ring)
<input type="radio"/>	E7	voltage regulator

group P - ignition



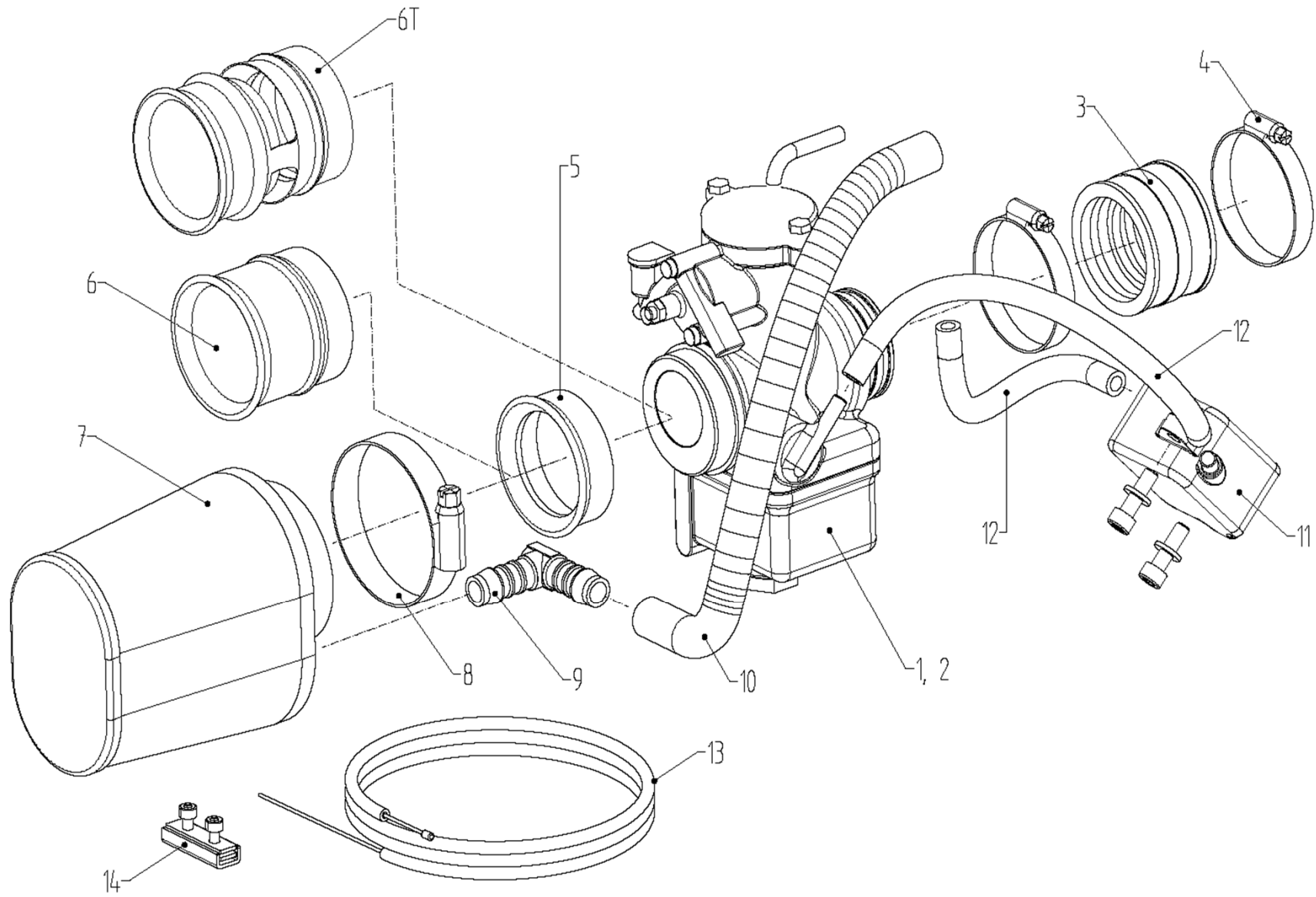
group	#	article
P	1	control unit EVO1
P	E1	generator stator EVO2
P	2	charging coil EVO1
P	E2	screws M6x20 (set) EVO2
P	3	mounting set for charge coil (screws M4x25, washer)
P	E3	ignition coil EVO2
P	4	pick-up (position sensor)
P	E4	screws M6x40 with washer, M6x10 EVO2
P	5	mounting set for pick-up (screws M4x14, washer)
P	6	ignition coil
P	7	mass wire
P	8	spark plug connector
P	9	spark plug

group Q - exhaust silencer



group	#	article
Q	1	exhaust silencer homologation (90° exit)
Q	2	primary tube
Q	3	silencer spring (set 2 pcs)
Q	4	sheet metal (incl. screws)
Q	5	nut with flange M8
Q	6	gasket for primary tube
Q	7	rubber mat for exhaust silencer
Q	8	exhaust silencer (not homologated, rest stock)
Q	9	fill set for exhaust silencer (steel-/ceramic wool, rivet)
Q	10	exhaust restrictor VT3/VT4 Junior/Mondial

group R - carburetor

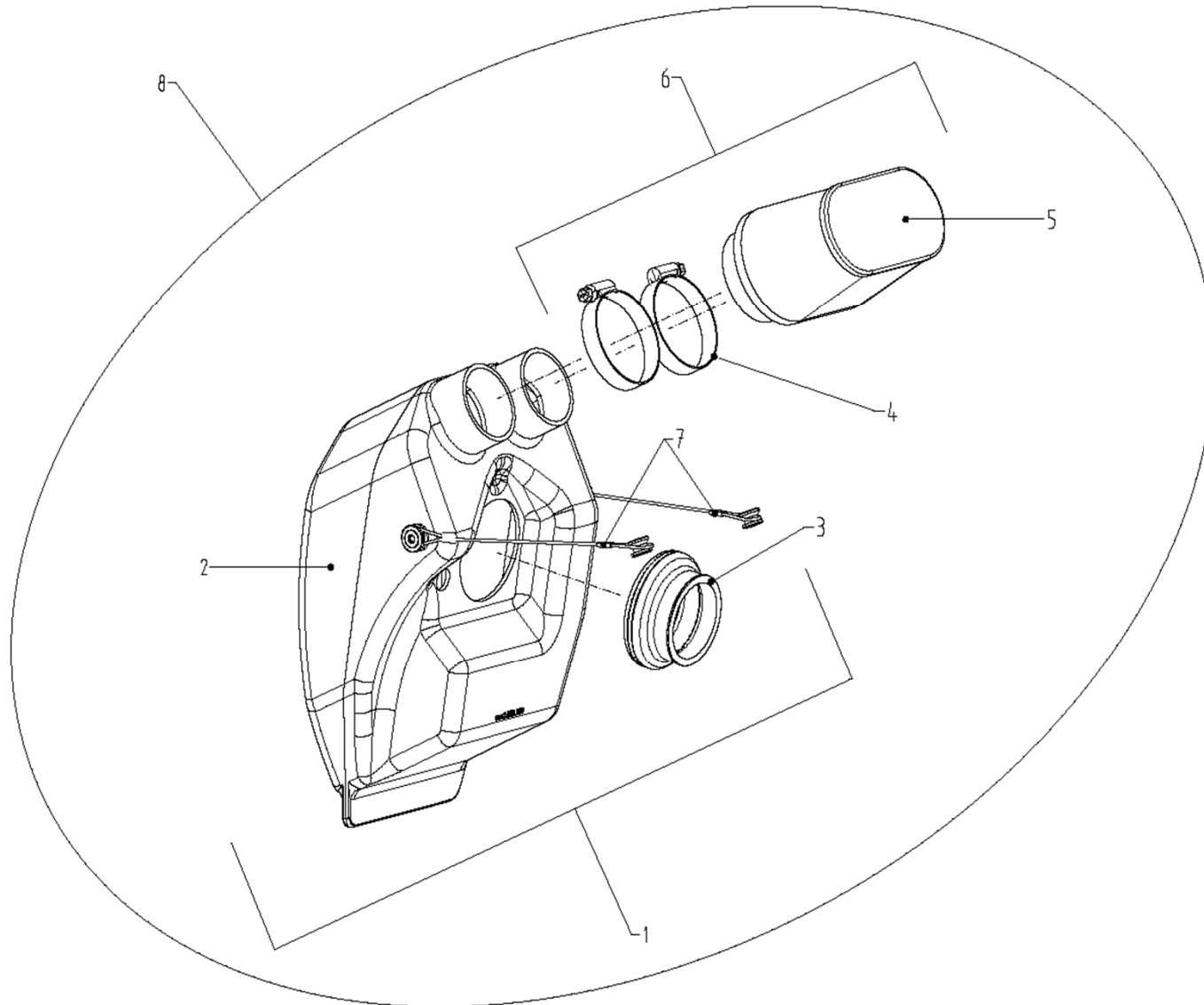


group # article

R	1	carburetor 30 (incl. air filtre flange)
R	3	carburetor rubber
R	4	carburetor u-clamp
R	5	air filtre flange
R	6	air filtre flange tuning
R	6T	air filtre flange Twin Flow
R	7	air filtre
R	8	air filtre u-clamp
R	9	hose connection 90°
R	10	crankcase ventilation hose
R	11	fuel pump (incl. screws M6x20, washer)
R	12	fuel hose (500mm)
R	13	trottle cable
R	14	double clamp for trottle cable

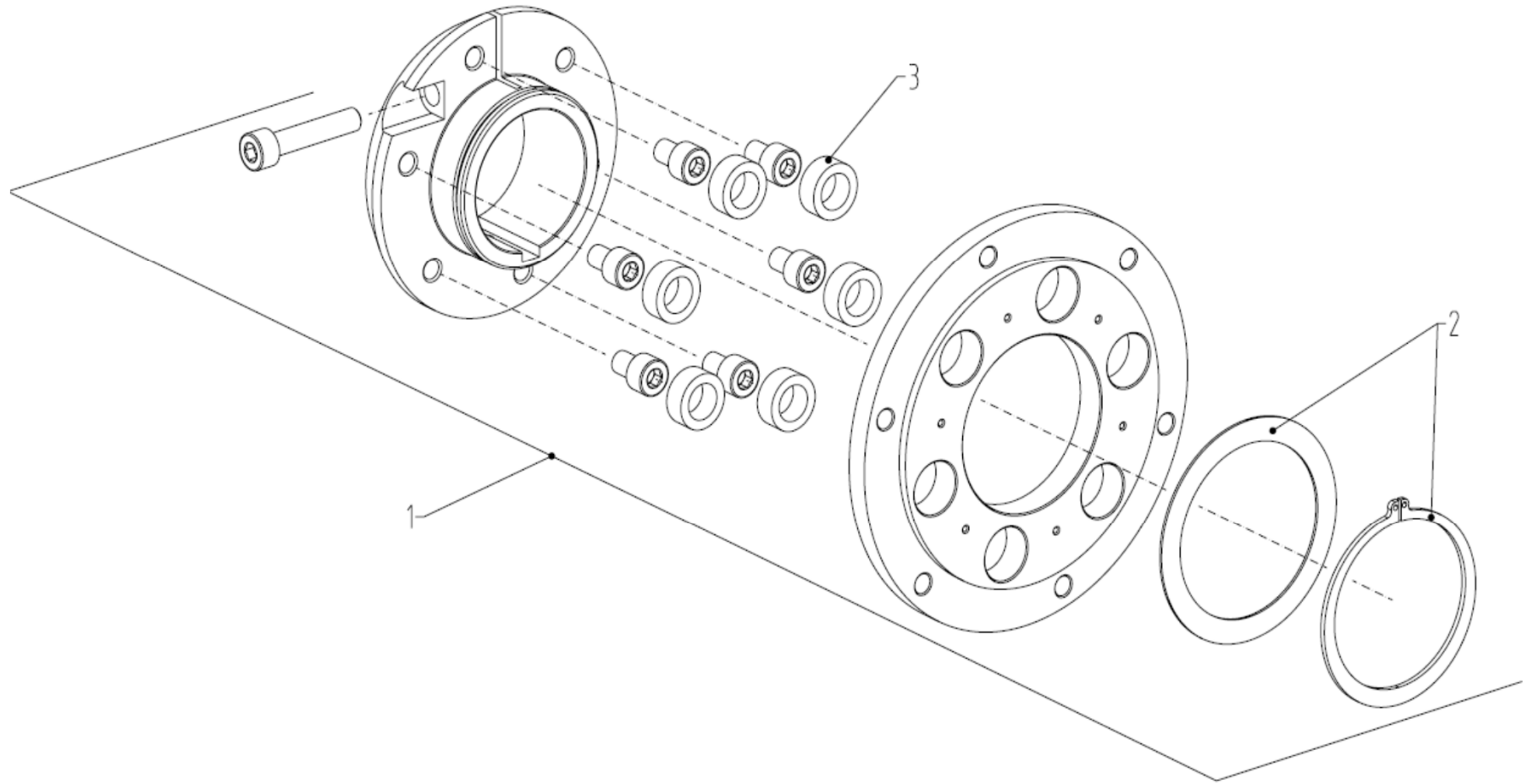
		more spare parts	Bestellgrösse
R	15	main jet	100, 102, 104, 106, 108, 110, 112, 115, 118 ,120
R	16	idle jet	50, 55, 60
R	17	needle jet	AB 258, AB 260, AB 265
R	18	needle with clip	K29, K46
R	19	slide valve	50/3
R	20	floater	6.5 gr einteilig
R	21	float valve	250
R	22	slide cover	10922 (Kunststoff schwarz)
R	23	throttle cable direction 90°	53036

group S - airbox



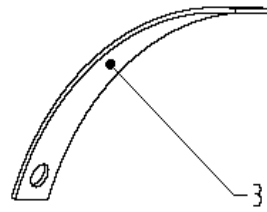
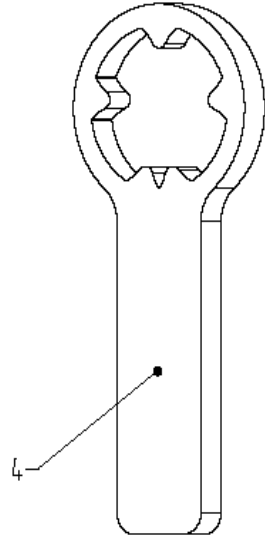
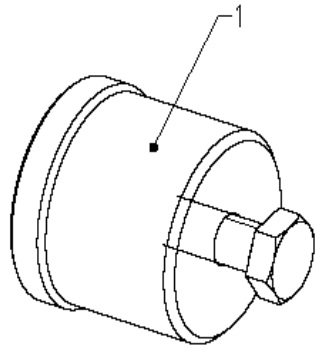
- S 1 airbox (incl.carburetor rubber)
- S 2 airbox
- S 3 carburetor rubber for airbox
- S 4 clamp for air filtre (singel)
- S 5 air filtre for airbox
- S 6 air filtre for airbox (incl. 2 clamps)
- S 7 mounting airbox
- S 8 airbox kit complete S1 - S7

group T - torque absorber



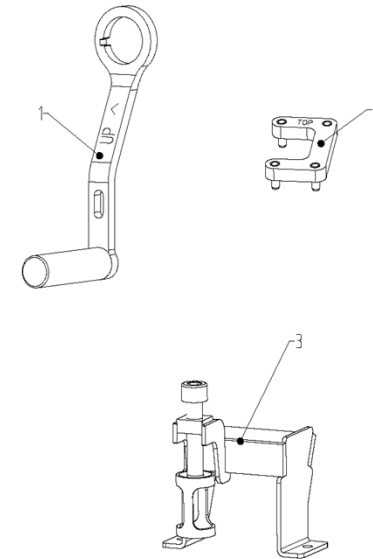
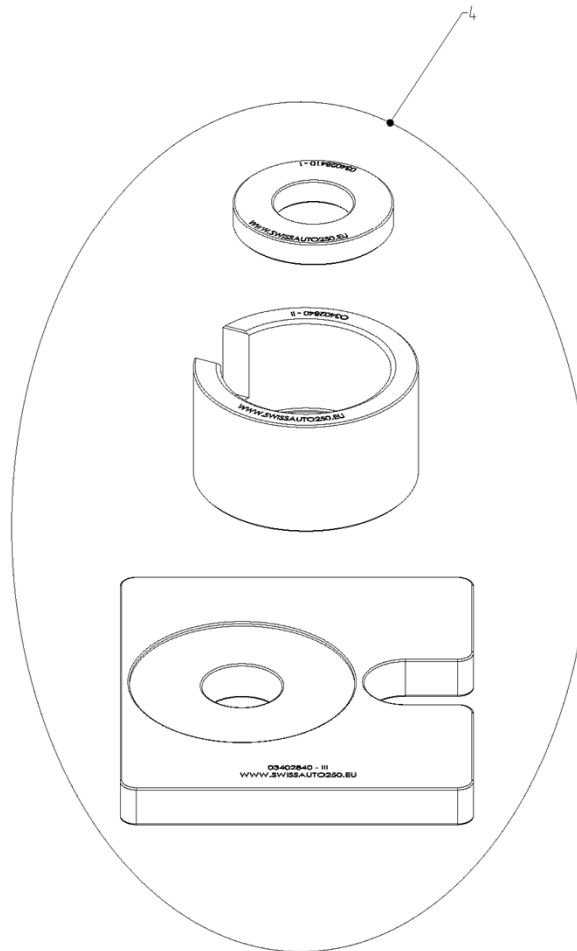
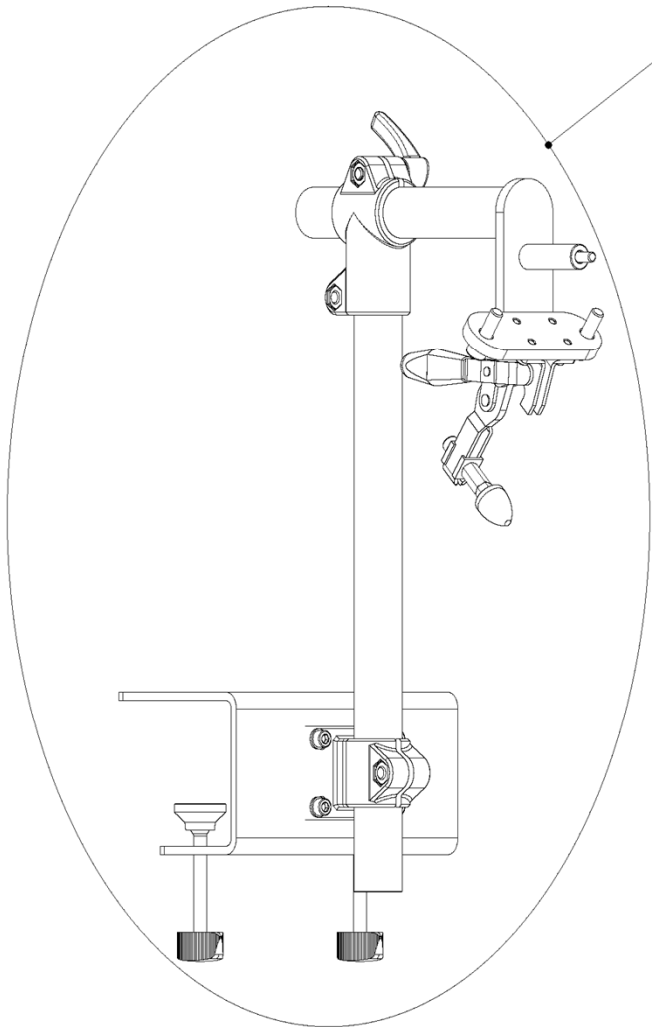
- T 1 torque absorber complet (incl. snap ring, shim ring, rubber rings, screws)
- T 2 snap ring and shim ring
- T 3 rubber ring for torque absorber

group U - tooling customer



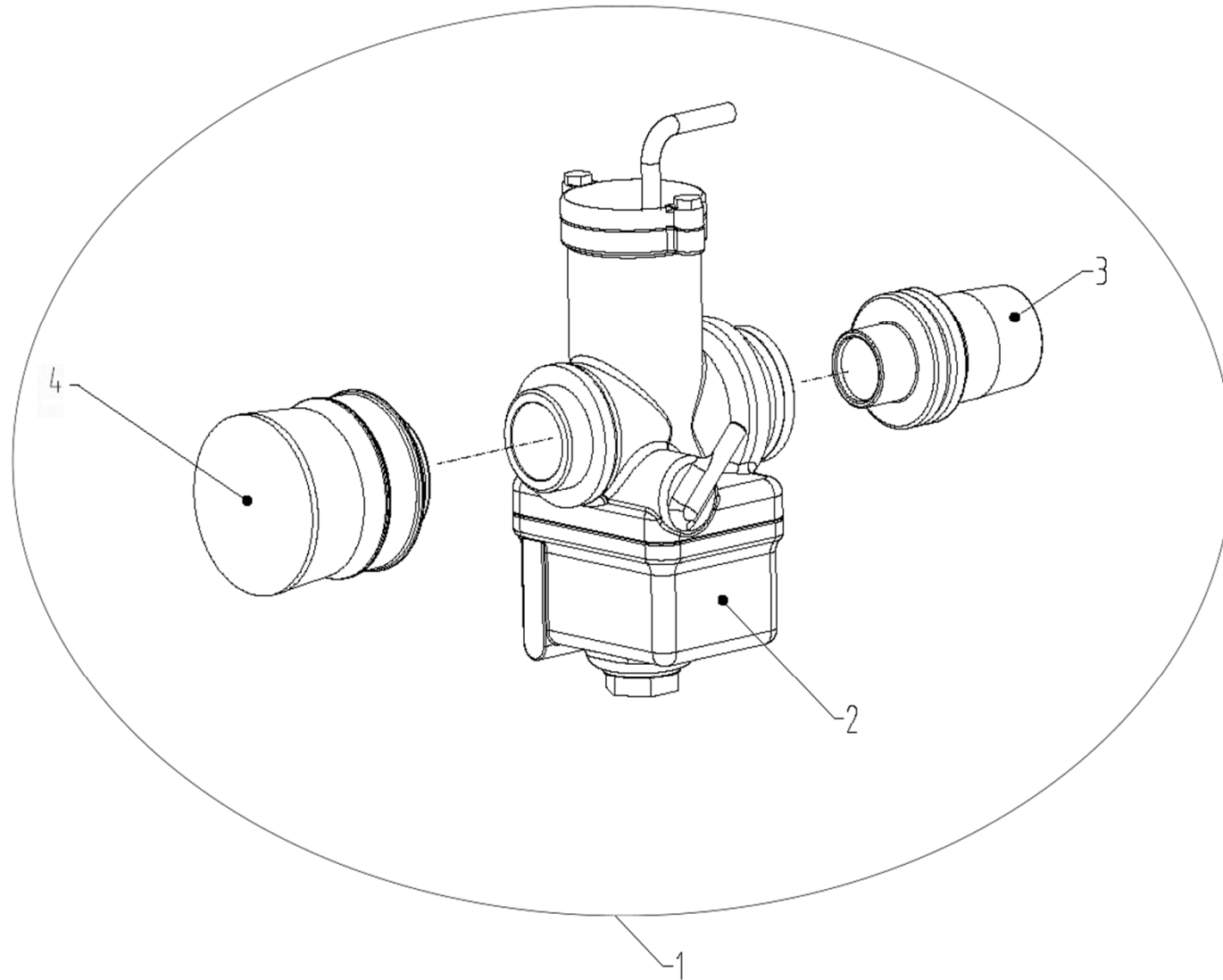
group	#	article
U	1	clutch puller (incl. screw)
U	2	clutch stop (batman)
U	3	leaf metal ignition
U	4	sprocket key
U	5	gasket KENT quick seal black

group V - tooling dealer



group	#	article
V	1	crankshaft blocking tool
V	2	camshaft blocking tool
V	3	valve spring changing tool
V	4	crankshaft pressing tool
V	5	bracket for engine assembly

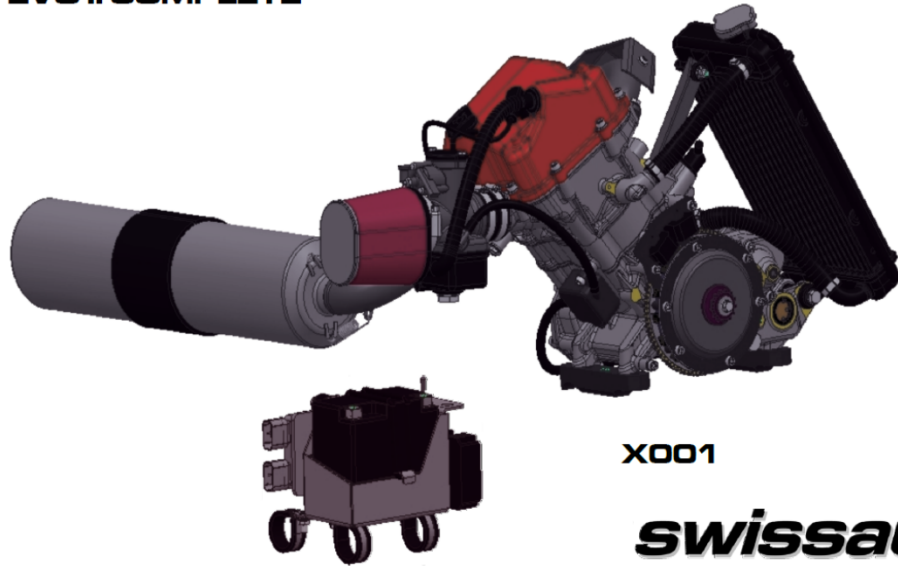
group W - carburetor Junior



group	#	article
W	1	carburetor 20mm complete
W	2	carburetor 20mm
W	3	adapting flange Junior
W	4	air filter flange Junior

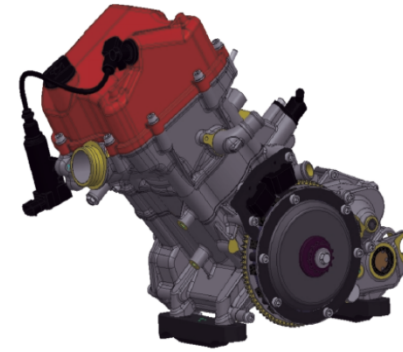
group X - engines

EVO II COMPLETE



X001

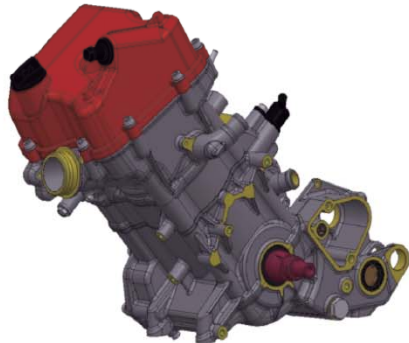
EVO II SPARE



X002

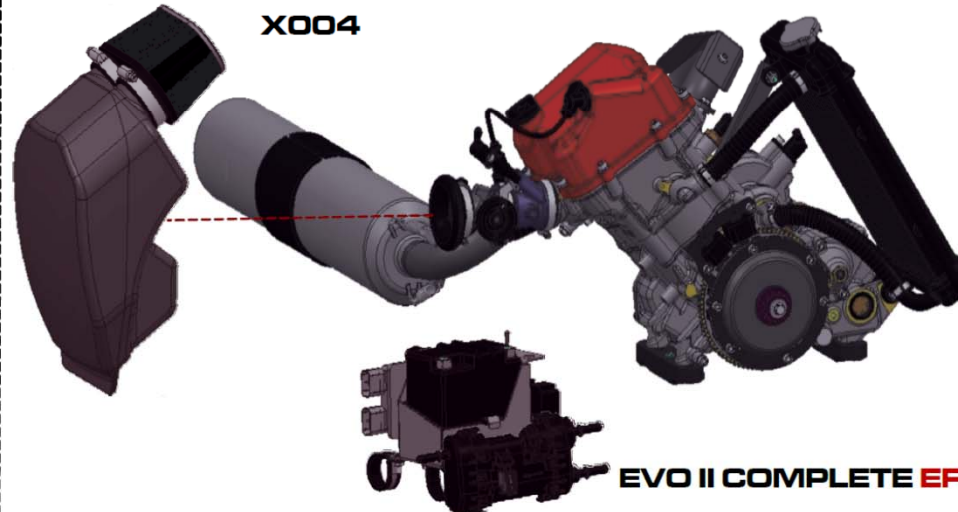
swissauto®
if you can't beat it, buy it
250

X003



EVO II NAKED

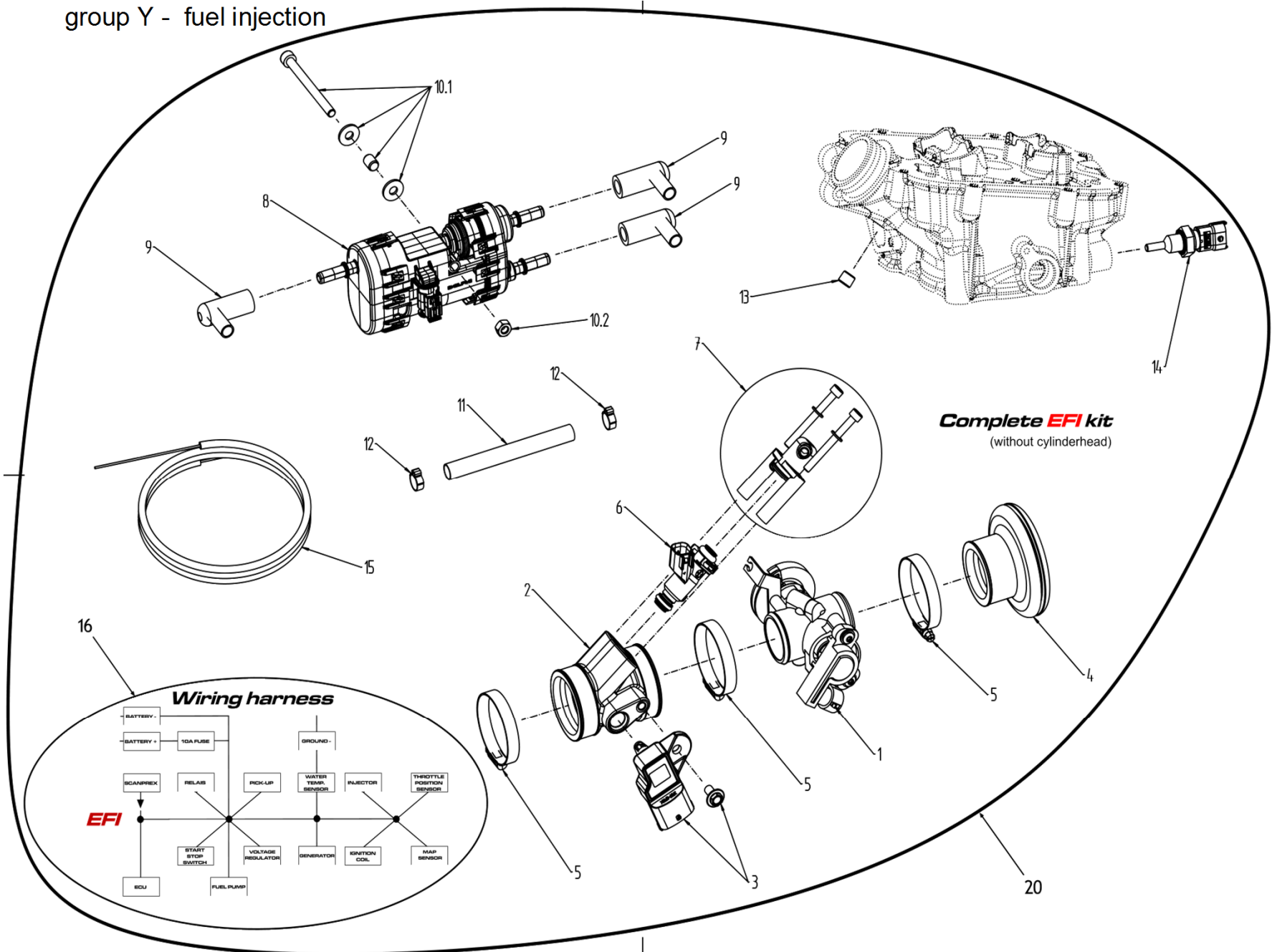
X004



EVO II COMPLETE EFI

group	#	article
X	1	engine swissauto250 EVO2 complete (carburetor)
X	2	spare engine swissauto250 EVO2
X	3	naked engine swissauto250 EVO2
X	4	engine swissauto250 EVO2 EFI complete incl airbox (electronic fuel injection)

group Y - fuel injection



group	#	article
Y	1	throttle body 37mm
Y	2	rubber flange
Y	3	MAP/MAT sensor incl. M6x10
Y	4	airbox rubber for injection
Y	5	hose clmap 32-50
Y	6	injection nozzle
Y	7	fuel connector incl. M5x50
Y	8	fuel pump Delphi
Y	9	fast connector fuel pump (singel)
Y	10	mounting set fuel pump (10.1 + 10.2)
Y	11	pressure fuel hose 500mm
Y	12	clamp pressure fuel hose (singel)
Y	13	screw plug
Y	14	water temperature sensor
Y	15	throttle cable EFI
Y	16	wire harness EVO2 EFI
Y	20	EFI Kit EVO2 complete (without cylinderhead)